

ISO9001: 2000

ISO14001: 2004

APPROVAL SPECIFICATIONS

Title. TACT SWITCH

Part NO. KAN3246-0253B

Customer's Part NO. _____

Model: _____

Customer's Approval Requested.

Please return this copy as a certification of your approval.

Checked by: _____ Date: _____

Approved by: _____ Date: _____

APPROVE	REVIEW	POLT
孙自波	李生勇	金成尧

WENZHOU GANGYUAN ELECTRONICS CO., LTD.

港源电子有限公司

GANGYUAN ELECTRONICS CO.,LTD

SPECIFICATION 规格书

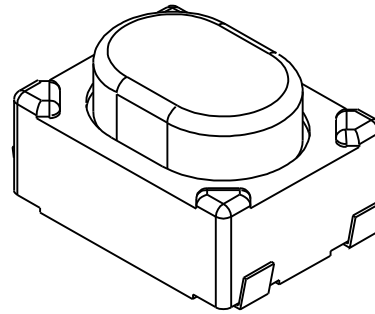
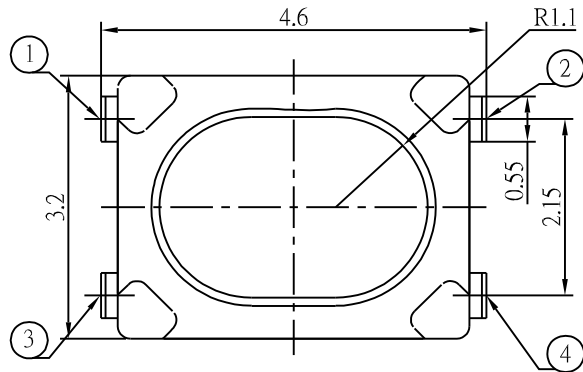
SERIES		系列: TS SWITCHES (轻触开关)	
MODEL		型号: KAN3246-0253B	
1.RATING		额定值: 50mA 12VDC	
2.CONSTRUCTION DIMENSION 结构尺寸		Accord with the appended drawing: 符合附加图纸	
3.APPEARANCE 外观		No remarkable damage, crack and rust etc:无明显损伤, 裂纹, 锈迹等.	
4.CONTACTLOOP 接触回路		Monopole loop:单通单极回路	
ITEM 专案	TEST CONDITION 测试条件	SPECIFICATION 规格	
5.ELECTRICAL PERFORMANCE 电气性能			
5 A	INSULATION RESISTANCE 绝缘电阻	Measurements shall be made following Application of Dc500V potential across terminals and across terminals and frame for 1minute, 在端子之间和端子与壳之间加 DC500V 条件下, 持续 1 分钟测量。	100M Ω min 100 兆欧以上。
5 B	WITHSTAND VOLTAGE 耐电压	AC250V、50HZ、1min (interrupting current \leq 500uA) . AC250V、50HZ、1 分钟 (漏电流 \leq 500uA)。	There shall be no breakdown. 无击穿现象出现。
5 C	CONTACT CIRCUIT 接触电路	Apply 1.5-2 times force on the top of the keystroke and press the switch, DC12V, 50mA 在按键顶端加上等于作用力 1.5-2 倍的力按动开关, DC12V, 50mA。	30m Ω max (30 M Ω 以下)
5 D	SEITCH CONNECTION FLASH 开关接点抖动	Addition DC5V on the two side of switch, at a speed of 3-5 times a see to press the switch. 在开关的两端加 DC5V 的电压, 以 3-5 次/秒的速度按动开关。	The flash time between on and off should not more than 10ms. 开关在接通和断开时的接点抖动时间不大于 10 ms。
6.MECHANICAL PERFORMANCE 机械性能			
6 A	CONTACT STRENGTH 按键强度	The contact shall be capable of a force of 5N for 5 seconds in any directions.沿开关动作方向可承受静能压力 5N, 保持 5 秒钟。	Switch electric and mechanical efficiency does not break 无损开关电气或机械性能。
6 B	CONTACT JOURNEY 按键行程	Placing the switch such that the direction of switch operation is vertical and , upon depression of the stem in its center the whole travel distance, the for the stem to return to its free position shall be measured 将开关水平放置, 在充分加压后公压, 测试其返回行程。	按键行程: 0.2 \pm 0.1 mm
6 C	DRIVE FORCE 驱动力	Placing the switch such that the direction of switch operation is vertical and then gradually increasing the load applied to the center of the stem , the maximum load required for the stem to come to a stop shall be measured. 将开关水平放置, 逐渐向开关柄中心施加力, 测其最大的承受力。	Contact Switch's drive force was 180 \pm 50gf 按键的开关驱动力为 180 \pm 50gf。

港源电子有限公司

GANGYUAN ELECTRONICS CO.,LTD

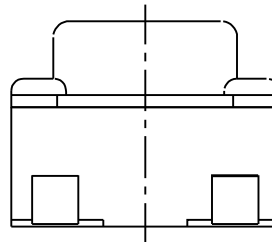
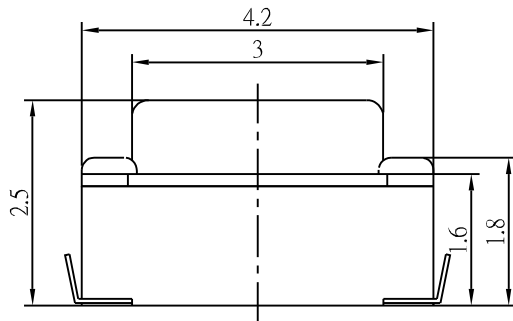
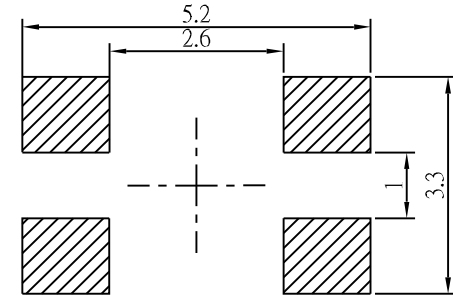
SPECIFICATION 规格书

6 D	CONNECTION STRENGTH 接线端强度	A force of 1N being applied in and directions on the switch connection part. 在接线端的任意方向施加 1N 的力。	Switch mechanical efficiency does not break. 无损开关机械性能。
6 E	MECHANICAL LIFE 机械寿命	Operation at a rate of 30 cycles a minute. 以 30 次/分钟的驱动速度操作。	LIFE: 10,000 cycles 寿命: 10,000 次
7. ENVIRONMENT-RESISTANT EFFICIENCY 耐环境性能			
7 A	CHANGE OF TEMPERATURE 温度变化	The first temperature shall be 70 °C , 3h and changed to-25°C, 0.5h, 5cycles of above test. 先 7070°C, 3h, 然后-25°C, 0.5h 如此重复 5 次	<ol style="list-style-type: none"> 1. The appearance should not break.外观应无损伤。 2. Contact resistance $\leq 100m\Omega$ DC 12V 50mA, 接触电阻 $\leq 100M\Omega$ DC 12V 50mA 3. Insulation resistance $\geq 100M\Omega$ DC100V 绝缘电阻 $\geq 100M\Omega$ DC100V
7 B	HUMIDITY RESISTANT 耐湿热	40 \pm 2 °C in temperature and 90-95% RH, During the test time without load; After testing the temperature should be 24h. 经 40 \pm 2 °C, 相对湿度 90-95%, 试验期间, 开关不动作, 不带电负荷, 试验后恢复到常温 24h。	
8. JOINTING EFFICIENCY 焊接性能			
8 A	SOLDERABILITY 可焊性	Temperature: 250 \pm 50 °C ; Duration: 3 \pm 0.5S. 温度在 250 \pm 50°C 持续 3 \pm 0.5S.	Solderable part should cover above 90% 可焊部分被焊料覆盖面应在 90%以上。
8 B	SOLDER-RESISTANT 耐焊剂性	Warm-up temperature: 100 °C , 40S, solder temperature: 260 \pm 5°C, Soldering time : 3 \pm 0.5S. 预热温度 100°C, 40S 焊锡温度 260 \pm 5°C, 焊接时间 3 \pm 0.5S.	Froth height of assist solder should under board and switch electrical and mechanical efficiency does not break. 助焊剂发泡不应超过印制板, 无损伤开关电气或机械动作性能。
8 C	JOINTING-RESISTANT 耐焊接热	Jointing temperature : 250 \pm 5 °C, Duration of immersion: 5 \pm 1S. 焊锡温度 250 \pm 5°C, 浸焊时间 5 \pm 1S.	Swtich electrical and mechanical efficiency does not break. 无损伤开关电气或机械动作性能。
8 D	NORMAL JOINTING TIMES 正常焊接次数		≤ 2 times 小于 2 次
9. NOTES			
9 A	The whole boxes of switch should be kept in the temperature -30-80 °C and less than 80% RH without acidic, alkalescence, caustic gas in the environment of the storage. 整箱包装的开关, 应在环境温度为-30-80°C, 相对湿度不天于 80%, 周围的空气中没有酸性、碱性或其他腐蚀性气体的库房内保管。		
9 B	Operating Temperature Range: -20 to 70 °C 操作温度的范围: -20 - 70 °C		
9 C	Switch should be installed and used in a correct method. 开关应按正确的安装方法进行正确安装使用。		



RoHS
Compliant

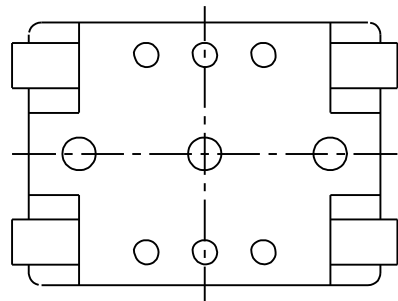
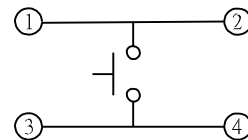
SMD REFLOW PATTERN

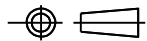


SPECIFICATIONS

Rating	DC 16V 50mA Max.
Contact Resistance	500mΩ Max.
Travel	0.2 ± 0.1mm
Operating Force	1 130 ± 30gf 2 160 ± 50gf 3 250 ± 50gf
Operating Life (cycle)	50,000 cycles (130 ± 30gf, 160 ± 50gf)
	100,000 cycles (250 ± 50gf)
General Tolerance	less than 1 ---> ±0.1
	1 - 3 ---> ±0.2
	more than 3 ---> ±0.3

CIRCUIT DIAGRAM



MODEL NAME	KAN3246-0253B	DESIGNED		SIZE: A4(210x297)	
TITLE	TACT SWITCH	CHECKED		VERSION : B	
DRAWING NO	GY/KAN-001-042	APPROVEV		PAGE : 1 / 1	UNIT : mm
DATE					SCALE: 4/1